

TRIPLE FUNCTION AIR VALVE

with isolating valve

DN 50 - 200 PN10/16

06.300



Product description

- Triple function air valve with isolating valve for drinking water, prepared for water supply in firefighting and irrigation systems
- Service temperature from 0°C (excluding frost) to 70°C

Standards

- Designed according to EN 1074-4
- Flange drilling to EN 1092-2 PN10/16

Tests

All valves are individually hydrostatically tested according to EN 1074-4:

- Seal 1.1 x PN (in bar); Body: 1.5 x PN (in bar)

Corrosion protection

- Epoxy powder coating RAL 5005
- Applied internal and external with a minimum coating thickness of 250 µm
- Potable water approved epoxy coating fusion bonded according EN 14901 and GSK (RAL-GZ662) guidelines

Features

- Triple function air valve, designed for the expulsion of the exhaust of large air volume allowing air ingress if pressure loss occurs
- For use in clean water suitable in pipelines up to DN 1200
- With isolating valve for maintenance
- Minimum pressure: 0.3 bar
- The device evacuates great air amounts during the filling of the main
- Allows the inlet of great air amounts (in order to avoid a vacuum effect) during the emptying of the main during normal working conditions
- It must be installed in a vertical position and according to the following parameters:
 - at the highest point;
 - when accentuating the slope in the flow direction;
 - downstream of control valves fitted on descending pipeline;
 - at regular intervals along ascending/descending pipeline, at least every 500 meters;
- On request possibility of float coating, sealing in NBR and stem in stainless steel AISI 316L.



Fucoli Somepal
FUNDAÇÃO DE FERRO, S. A.

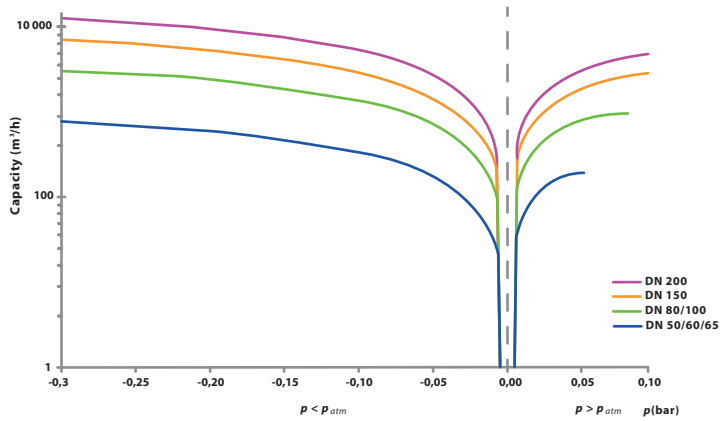
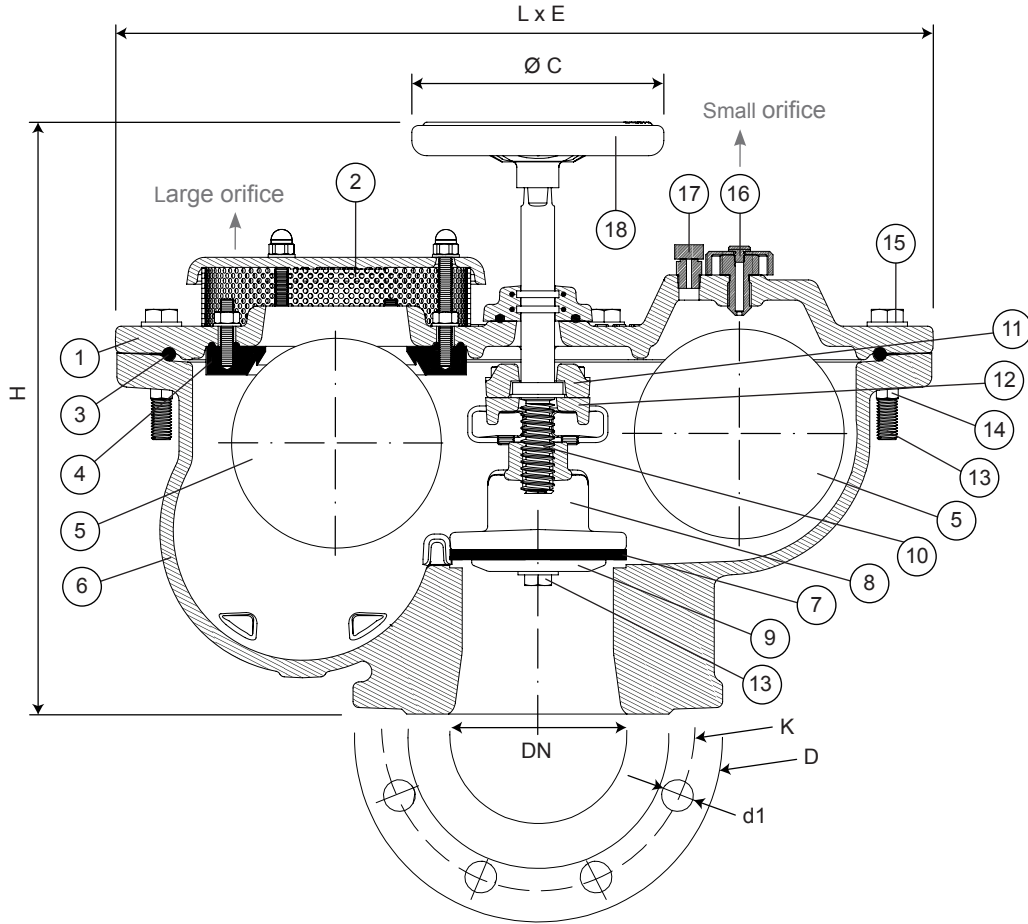
Visit our website at www.fucoli-somepal.pt

Head office: Estrada de Coselhas, 3000-125 Coimbra – Portugal | Tel.: (+351) 239 490100 | Fax: (+351) 239 490198

Branch office: Rua de Aveiro 50, 3050-420 Pampilhosa – Portugal | Tel.: (+351) 239 490100 | Fax: (+351) 231 949292 | comercial@fucoli-somepal.pt

TRIPLE FUNCTION AIR VALVE
with isolating valve
DN 50 - 200 PN10/16

06.300



Component list

pos.	components	material	standard
1	Bonnet	Ductile iron EN-GJS-500-7	EN 1563
2	Air outlet	Stainless steel AISI 304	EN 10088 - 1
3	O-ring	Elastomer EPDM	EN 681 - 1
4	Air outlet sealing ring	Ductile iron EN-GJS-500-7	EN 1563
	Air outlet sealing ring covering	Elastomer EPDM	EN 681 - 1
5	Flutuator	Steel docol 1000DP	-
	Flutuator covering	Elastomer EPDM	EN 681 - 1
6	Body	Ductile iron EN-GJS-500-7	EN 1563
7	Obturator sealing	Elastomer EPDM	EN 681 - 1
8	Obturator	Ductile iron EN-GJS-500-7	EN 1563
9a	Obturator sealing fixing washer DN50-DN65	Brass CuZn39Pb3	EN 12164

pos.	components	material	standard
9b	Obturator sealing fixing washer DN80-DN200	Ductile iron EN-GJS-500-7	EN 1563
10	Stem	Stainless steel AISI 420	EN 10088 - 1
11	Stem support	Ductile iron EN-GJS-500-7	EN 1563
12	Stem guide	Ductile iron EN-GJS-500-7	EN 1563
13	Bolts	Stainless steel A2	EN 10088 - 1
14	Nuts	Stainless steel A4	EN 10088 - 1
15	Washers	Stainless steel A2	EN 10088 - 1
16	Nozzle	Brass CuZn39Pb3	EN 12164
17	Control purger	Brass CuZn39Pb3	EN 12164
18	Handwheel	Printed stell ST W24	EN 10111 and 10130

continued on next page

TRIPLE FUNCTION AIR VALVE
with isolating valve
DN 50 - 200 PN10/16

06.300



continued from previous page

Reference and dimensions

DN	PN	code	D	L	E	H	ø C	K	n° x ø d1	Kg
				mm	mm	mm	mm	mm	mm	approx.
50	10/16	19908010	165	390	200	290	150	125	4 x 19	26
60	10/16	19908015	175	390	200	290	150	135	4 x 19	27
65	10/16	19908020	185	390	200	290	150	145	4 x 19	27
80	10/16	19908030	200	485	245	360	200	160	8 x 19	41
100	10/16	19908040	220	485	245	360	200	180	8 x 19	42
150	10/16	19908050	285	680	360	500	200	240	8 x 23	120
200	10	19908060	340	680	360	500	200	295	8 x 23	122
200	16	19908061	340	680	360	500	200	295	12 x 23	122

DN	Main pipe diameter (DN)	Orifice size	
		Main air outlet	Automatic vacuum outlet
50	65 to 350	1600 mm ²	12 mm ²
60			
65			
80	400 to 600	2300 mm ²	
100			
150	700 to 900	5600 mm ²	
200	1000 to 1200		



Fucoli Somepal
 FUNDIÇÃO DE FERRO, S.A.

Visit our website at www.fucoli-somepal.pt

Head office: Estrada de Coselhas, 3000-125 Coimbra – Portugal | Tel.: (+351) 239 490100 | Fax: (+351) 239 490198

Branch office: Rua de Aveiro 50, 3050-420 Pampilhosa – Portugal | Tel.: (+351) 239 490100 | Fax: (+351) 231 949292 | comercial@fucoli-somepal.pt

